

Linearizer C-Band



General

Astyx Linearizers are used in combination with TWTAs (Travelling Wave Tube Amplifiers) or SSPAs (Solid State Power Amplifiers) in order to improve the linear power range of these amplifiers by minimization of phase and amplitude distortions.

Applications

- High power requirements
- Multi-carrier systems
- Ground stations HPAs (High Power Amplifiers)
- Space systems

Major Features

- Individual fine-tuned phase and amplitude curves
- Inclusive preamplifier, adjustable attenuator and output driver stage on request
- Small size and low DC-power consumption

Technical Properties

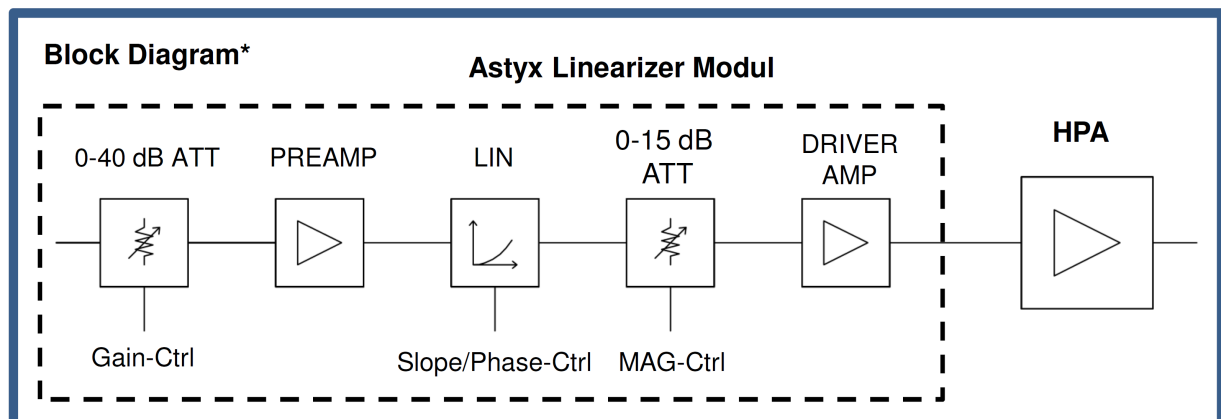
DC Supply	typ. 8 V
Frequency band	5.85 – 7.10 GHz
Output power	up to 26 dBm
Gain*	up to 47 dB
Attenuation range*	typ. 0 – 40 dB
Temperature range	-10 °C - 85 °C

Contact

ASTYX GmbH
Lise-Meitner-Str. 2a
85521 Ottobrunn, Germany
www.astyx.de / info@astyx.de

For North America

ASTYX Inc.
116 W. Illinois Street, Suite 3-E
Chicago, IL 60654, USA
www.astyx.net / info@astyx.net



* depending on the linearizer configuration